



# Led Power Supply

## Constant Voltage Type



Phone:(973)575-2600 Fax:(973)575-2603  
155A 10th St Passaic,NJ 07055  
[www.g2glighting.com](http://www.g2glighting.com)

# LED POWER SUPPLY

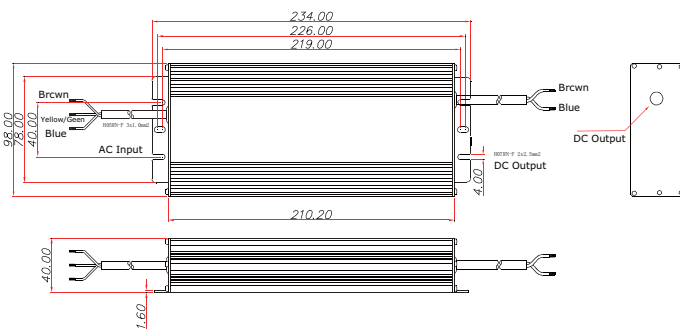
320W 12VDC  
Constant Voltage Type



## SPECIFICATIONS

Model	G2G320W12
Input Voltage	100-277 VAC
Output Voltage	12 VDC
Power	320W
Output Current Range	0-22.0A
Typical Efficiency (2)	91%
Protection	SCP/OCP/OVP/OTP
PF	0.95(Min.)
IP	IP67
Net Weight	1.58kg
Packaging	10 per carton

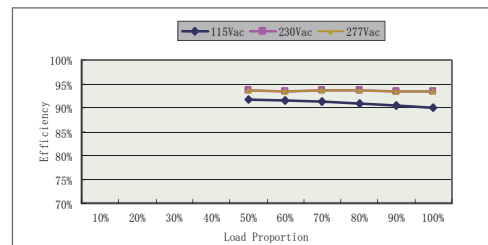
## DIMENSIONS



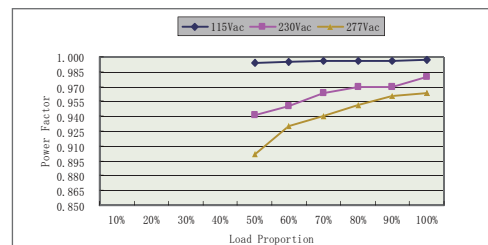
## LED POWER SUPPLY 320W 12VDC

G2G320W12, constant-Voltage outdoor LED driver that operates from 90-305 Vac input with excellent power factor. It is created for LED strip, LED module, LED landscape light. The high efficiency of these drivers and compact metal case enables them to run cooler, significantly improving reliability and extending product life. To ensure trouble-free operation, protection is provided against input surge, output over voltage, over current, short circuit, and over temperature.

### Efficiency vs Load Curve



### Power Factor vs Load Curve



# LED POWER SUPPLY

200W 12VDC  
Constant Voltage Type

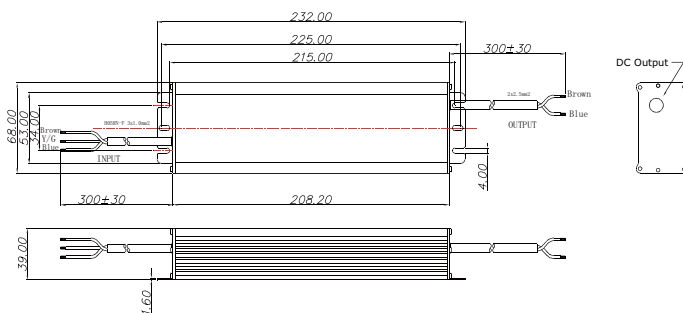
CB CE EN C UL<sup>®</sup> US



## SPECIFICATIONS

Model	G2G200W12
Input Voltage	100-277 VAC
Output Voltage	12 VDC
Power	200W
Output Current Range	0~16.67A
Typical Efficiency (2)	91%
Protection	SCP/OCP/OVP/OTP
PF	0.96(Min.)
IP	IP67
Net Weight	1.18kg
Packaging	10 per carton

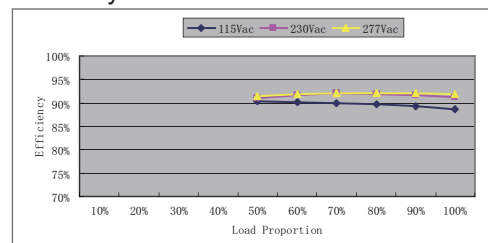
## DIMENSIONS



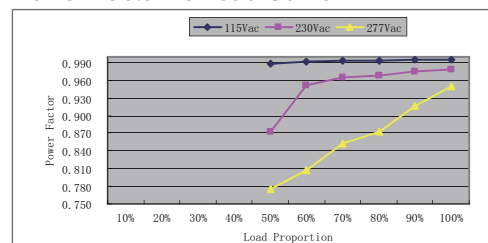
## LED POWER SUPPLY 200W 12VDC

G2G200W12, constant-Voltage outdoor LED driver that operates from 100-277VAC input with excellent power factor. It is created for LED strip, LED module, LED landscape light. The high efficiency of these drivers and compact metal case enables them to run cooler, significantly improving reliability and extending product life. To ensure trouble-free operation, protection is provided against input surge, output over voltage, over current, short circuit, and over temperature.

### Efficiency vs Load Curve



### Power Factor vs Load Curve



# LED POWER SUPPLY

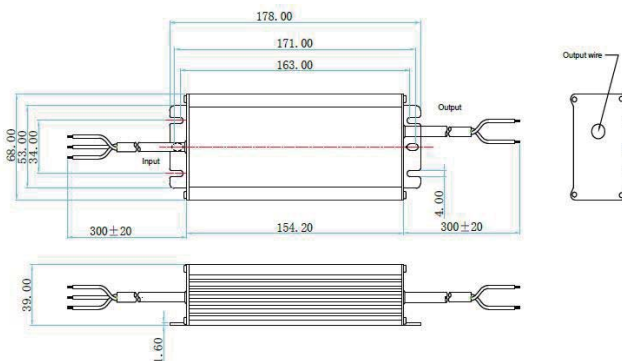
100W 12VDC  
Constant Voltage Type



## SPECIFICATIONS

Model	G2G100W12
Input Voltage	100-277 VAC
Output Voltage	12 VDC
Power	100W
Output Current Range	0~8.33 A
Typical Efficiency (2)	91%
Protection	SCP/OCP/OVP/OTP
PF	0.96(Min.)
IP	IP67
Net Weight	0.98kg
Packaging	10 per carton

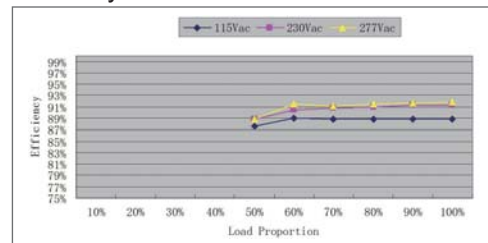
## DIMENSIONS



## LED POWER SUPPLY 100W 12VDC

G2G100W12, constant-Voltage outdoor LED driver that operates from 90-305 Vac input with excellent power factor. It is created for LED strip, LED module, LED landscape light. The high efficiency of these drivers and compact metal case enables them to run cooler, significantly improving reliability and extending product life. To ensure trouble-free operation, protection is provided against input surge, output over voltage, over current, short circuit, and over temperature.

Efficiency vs Load Curve



Power Factor vs Load Curve

