



**CHANNEL LETTER
LIGHTING**
INSTALLATION GUIDE
G2G TriCo Series

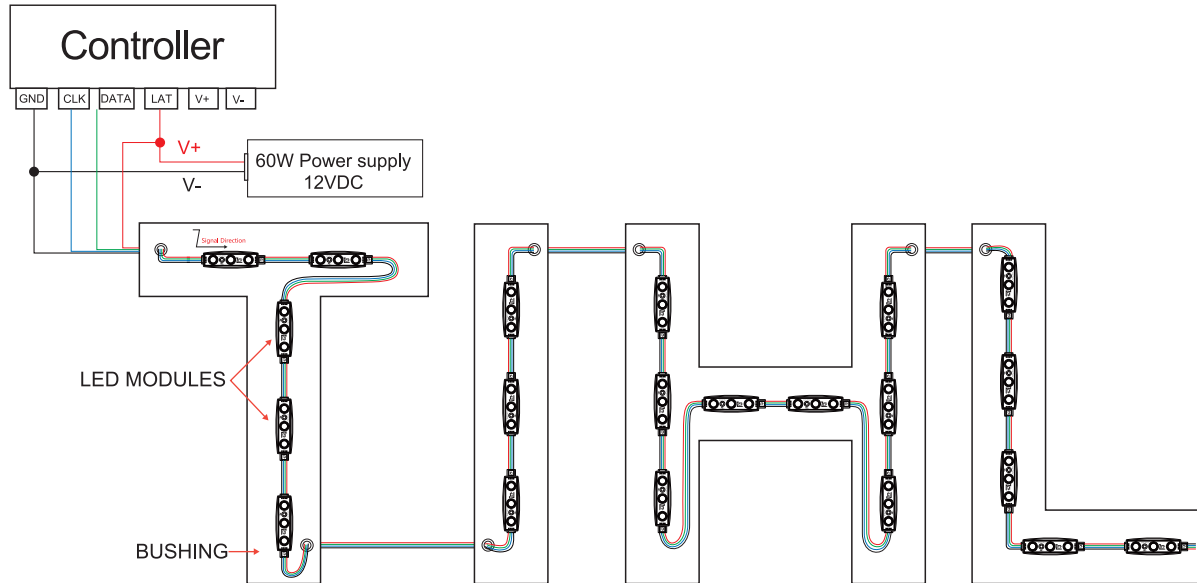
T 973 575 2600 F 973 575 2603
1829 Underwood Blvd, Unit 5, Delran Twp, NJ 08075
www.g2glighting.com

CHANNEL LETTER LED LIGHTING

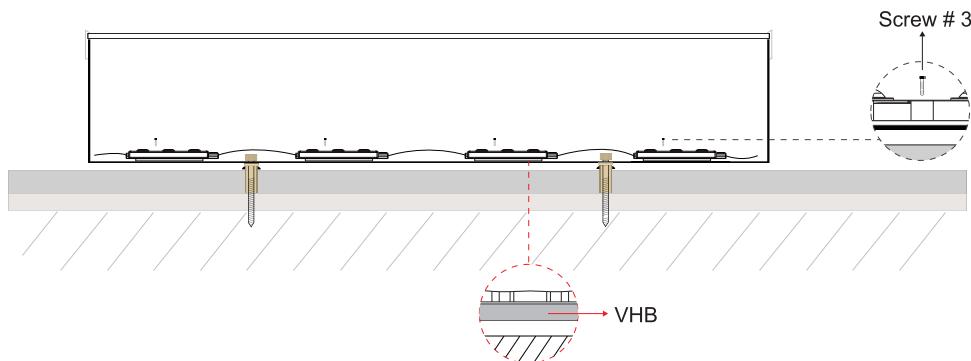
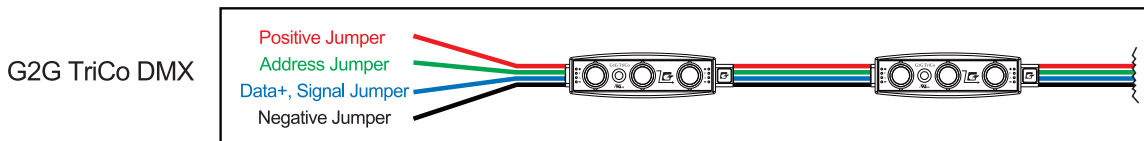
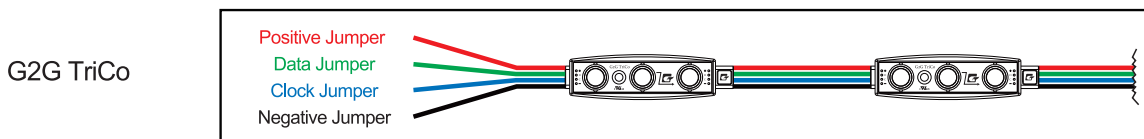
INSTALLATION GUIDE

INSTALLATION INSTRUCTIONS

Install length of product in letters by fastening mounting clips with VHB tape(supplied) of mechanically through holes in the clip, or both. Add silicone for additional security if desired (see Figure 2)



Wiring and installation diagram



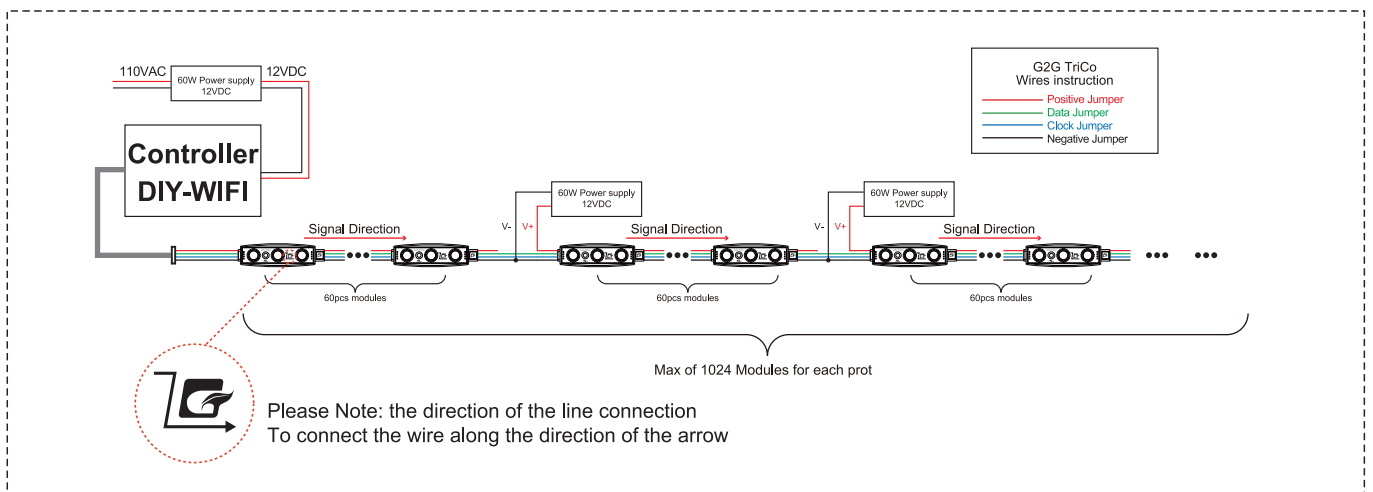
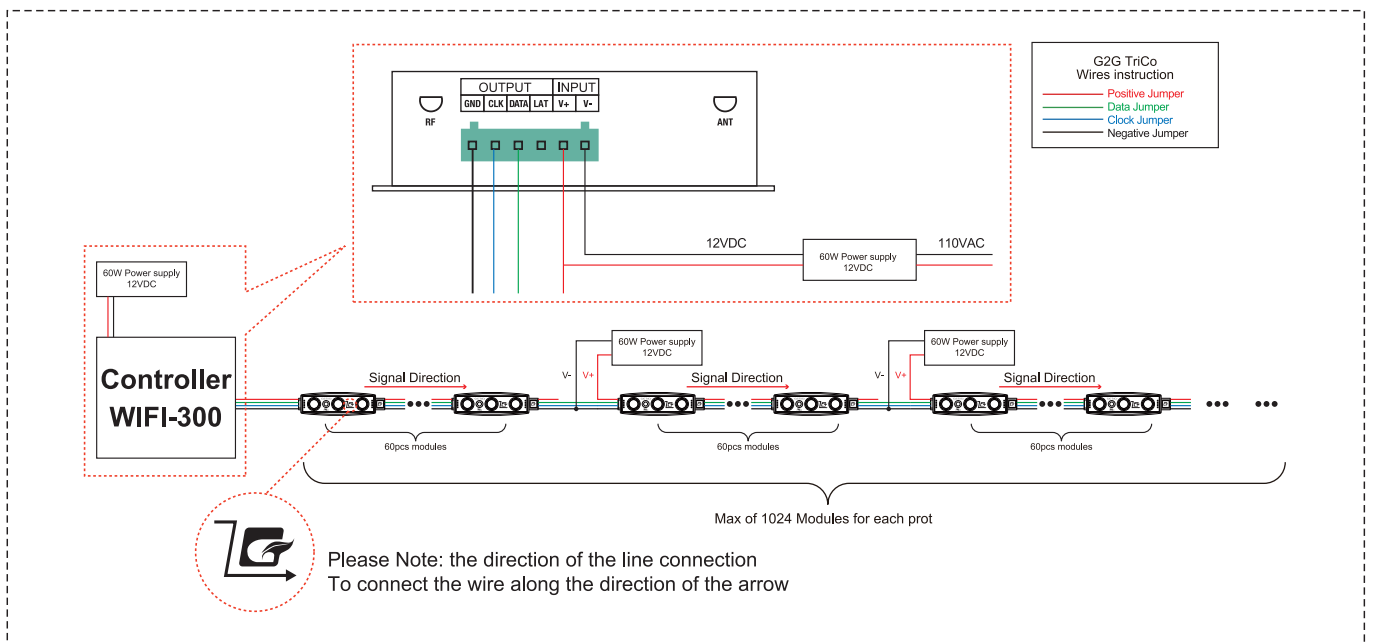
CHANNEL LETTER LED LIGHTING

INSTALLATION GUIDE

POWER SUPPLY LOADS

LED Module	PCS / FT (60W)
G2G TriCo	83/42
G2G TriCo DMX	83/42

G2G TRICO WIRING DIAGRAM CONTROLLER



G2G TRICO DMX WIRING DIAGRAM CONTROLLER

